



System designed to catch and channel water away from coach interior.

As a world-class leader in customized sealing solutions, Mantaline offers you the highest quality standards, state-of-the-art equipment and facilities, a dedicated workforce of trained engineers and unparalleled customer service building on its nearly 40-year history of success in a variety of markets.

Recreational Vehicles
Automotive
Heavy Duty Truck
Specialty Vehicles

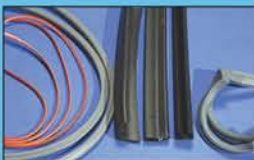


weatherstripping
gaskets and seals



Supplemental Corner Sealing

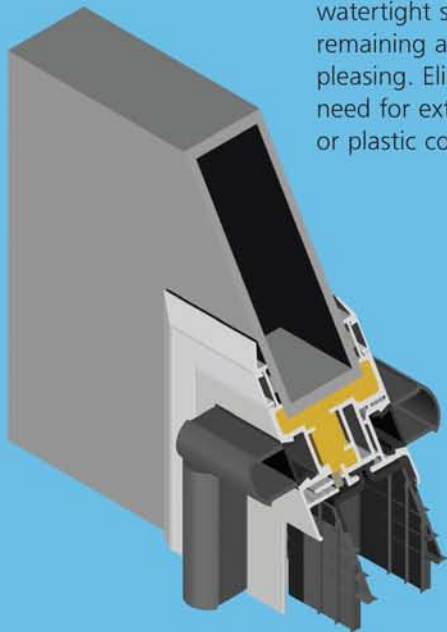
Expandable foam is used to seal the mitered corners of the frame from the inside out. This ensures a watertight seal while remaining aesthetically pleasing. Eliminates need for extra caulking or plastic corners.



Weatherstripping



Gaskets and Seals



The Slide Room Sealing Solution



440 Gentry Drive, Aurora, Ohio 44202
 Phone: 330-995-4477
 Fax: 330-995-3773
 www.mantaline.com

ISO 9001:2000 Certified
 Manta-Slide™ Seal is patent pending.

The Manta-Slide™ Seal Solution

From a dis-integrated approach to an integrated solution.

Highly engineered....
easy to install

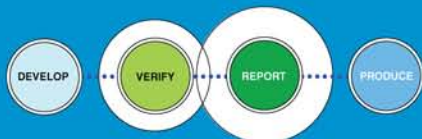
The Manta-Slide™ Seal is an integrated engineered sealing solution for slide room applications. The Manta-Slide™ Seal is designed to tackle the unique problems of moisture penetration represented by the top, sides, corners and bottom of a slide room.

The Manta-Slide™ Seal's wiper action prevents moisture intrusion while the slide room is extended and, most importantly, while it is being retracted.

As a product application, the Manta-Slide™ Seal is ready to be engineered into your newest vehicle designs, or be retrofitted to existing products as an aftermarket service offering: the choice is yours.

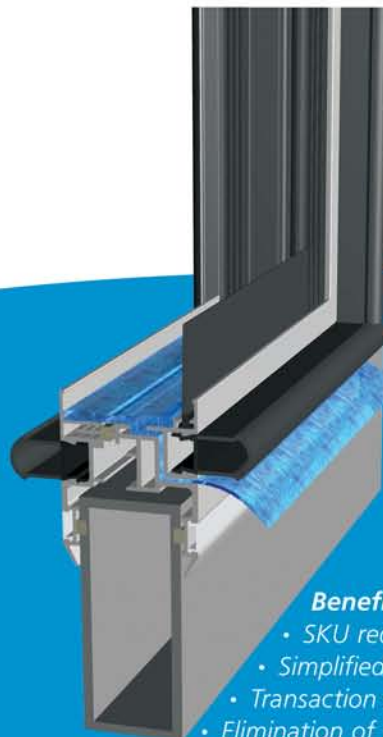
Engineering Value

Mantaline's four-step process ensures your product will be right the first time. And because we provide extensive testing before your product leaves our facility, you can ultimately reduce your time to market.



Component Construction

CAD/FEA - Upfront Design



Two-Piece Design
Delivered in two
main assemblies.

Virtually all seals,
sealants and tapes
pre-mounted.

Benefits

- SKU reduction
- Simplified inventory management
- Transaction cost reduction
- Elimination of waste

Integrated Construction

Adaptability

- Fits 1-1/2" - 2-1/8" sidewalls
- Slide room opening tolerance +/- 1/4"
- Fiberglass / aluminum surfaces

Benefits

- Ease of installation
- Use on various platforms

Water Prevention and Management

- Seals designed to maximize water prevention, minimize water intrusion

Benefits

- Unique, specific design for slide room sealing
- Utility by design - fit, function, and aesthetics

